

Hybrid All-Mtn 5.9 **COMP**

SACHS RS

| | |
|--------------------------------------|---|
| RAHMEN / FRAME | NOX Frame AM 2.2 |
| FARBEN / COLORS | Indigo / Smoke |
| GRÖSSEN / SIZES | S / M / L / XL |
| ANTRIEB / MOTORSET | SACHS RS |
| AKKU / BATTERY | SACHS Battery SI 651.01 48V 650Wh |
| LADEGERÄT / CHARGER | SACHS Charger 4Ah (100-240V) |
| BEDIENEINHEIT / DISPLAY | SIGMA EOX Remote |
| DÄMPFER / REAR SHOCK | ROCK SHOX Super Deluxe Select |
| GABEL / FORK | ROCK SHOX 35 Gold RL 29" 160mm |
| VORBAU / STEM | REVERSE Stem E-Black-ONE 50mm Ø35mm |
| LENKER / HANDLEBAR | REVERSE Handlebar E-Element 800mm Ø35/R25mm |
| SATTELSTÜTZE / SEAT POST S/M | RACE FACE Ride 30.9 |
| SATTELSTÜTZE / SEAT POST L/XL | RACE FACE Ride 30.9 |
| KURBELN / CRANKSET | SRAM X1 |
| SCHALTWERK / REAR DERAILLEUR | SRAM NX Eagle 12x |
| SHIFTER RE. / SHIFTER RIGHT | SRAM NX Eagle 12x |
| RITZELPAKET / SPROCKET | SRAM PG 1230 11-50T |
| BREMSSYSTEM / BRAKESYSTEM | MAGURA MT5 HC |
| LAUFRAD VO. / WHEEL FRONT | DT SWISS H1900 29" FW 30mm |
| LAUFRAD HI. / WHEEL REAR | DT SWISS H1900 29" RW 30mm |
| REIFEN VO. / TIRE FRONT | CONTINENTAL Trail King 29x2.4" Shieldwall |
| REIFEN HI. / TIRE REAR | CONTINENTAL Trail King 29x2.4" Shieldwall |
| PREIS / PRICE | € 5.499,- |

Hybrid All-Mtn 5.9 **EXPERT**

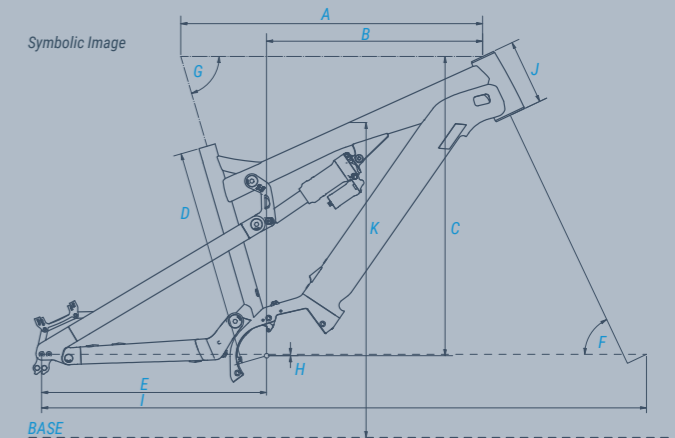
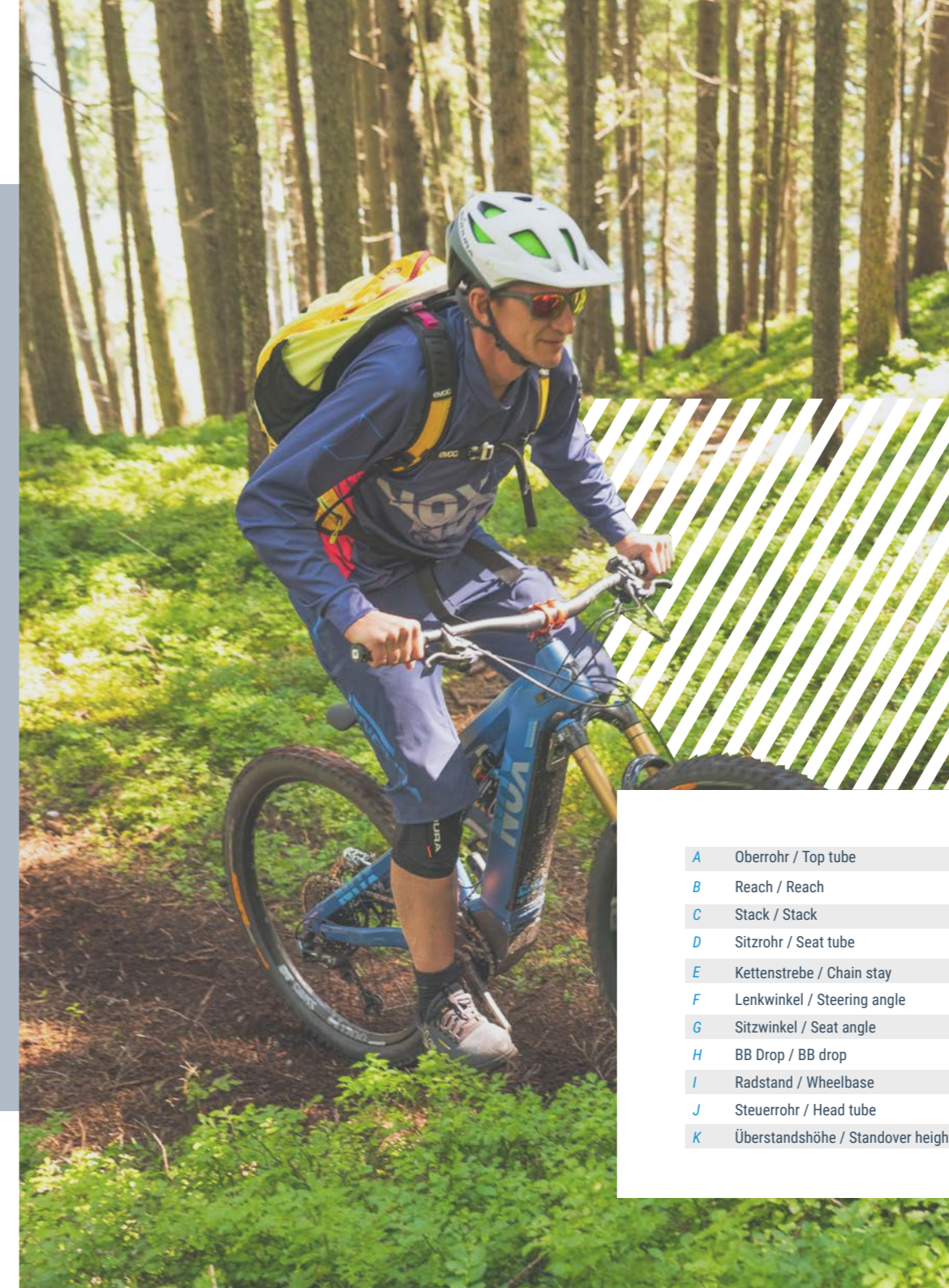
SACHS RS

| | |
|--------------------------------------|---|
| RAHMEN / FRAME | NOX Frame AM 2.2 |
| FARBEN / COLORS | Indigo / Smoke |
| GRÖSSEN / SIZES | S / M / L / XL |
| ANTRIEB / MOTORSET | SACHS RS |
| AKKU / BATTERY | SACHS Battery SI 651.01 48V 650Wh |
| LADEGERÄT / CHARGER | SACHS Charger 4Ah (100-240V) |
| BEDIENEINHEIT / DISPLAY | SIGMA EOX Remote |
| DÄMPFER / REAR SHOCK | ROCK SHOX Super Deluxe Select+ |
| GABEL / FORK | ROCK SHOX Lyrik Select RC 29" 160mm |
| VORBAU / STEM | REVERSE Stem E-Black-ONE 50mm Ø35mm |
| LENKER / HANDLEBAR | REVERSE Handlebar E-Element 770mm Ø35/R25mm |
| SATTELSTÜTZE / SEAT POST S/M | ROCK SHOX Reverb Stealth, 30.9, 1X 150mm |
| SATTELSTÜTZE / SEAT POST L/XL | ROCK SHOX Reverb Stealth, 30.9, 1X 175mm |
| KURBELN / CRANKSET | SRAM X1 |
| SCHALTWERK / REAR DERAILLEUR | SRAM GX Eagle 12x |
| SHIFTER RE. / SHIFTER RIGHT | SRAM GX Eagle 12x |
| RITZELPAKET / SPROCKET | SRAM PG 1230 11-50T |
| BREMSSYSTEM / BRAKESYSTEM | MAGURA MT5 HC |
| LAUFRAD VO. / WHEEL FRONT | DT SWISS H1700 29" FW 30mm |
| LAUFRAD HI. / WHEEL REAR | DT SWISS H1700 29" RW 30mm |
| REIFEN VO. / TIRE FRONT | CONTINENTAL Trail King 29x2.4" Shieldwall |
| REIFEN HI. / TIRE REAR | CONTINENTAL Trail King 29x2.4" Shieldwall |
| PREIS / PRICE | € 6.299,- |

Hybrid All-Mtn 5.9 **PRO**

SACHS RS

| | |
|--------------------------------------|---|
| RAHMEN / FRAME | NOX Frame AM 2.2 |
| FARBEN / COLORS | Indigo / Smoke |
| GRÖSSEN / SIZES | S / M / L / XL |
| ANTRIEB / MOTORSET | SACHS RS |
| AKKU / BATTERY | SACHS Battery SI 651.01 48V 650Wh |
| LADEGERÄT / CHARGER | SACHS Charger 4Ah (100-240V) |
| BEDIENEINHEIT / DISPLAY | SIGMA EOX Remote |
| DÄMPFER / REAR SHOCK | FOX Float DPX2 Factory |
| GABEL / FORK | FOX 36 Factory E-Optimized Grip2 29" 160mm shiny black |
| VORBAU / STEM | REVERSE Stem, Black-One Enduro Titan D Ø35mm L 35mm |
| LENKER / HANDLEBAR | REVERSE Handlebar Carbon Seismic Ø35/R20 |
| SATTELSTÜTZE / SEAT POST S/M | FOX Transfer Factory Post 150mm / 30.9mm + FOX Transfer 1x Remote |
| SATTELSTÜTZE / SEAT POST L/XL | FOX Transfer Factory Post 175mm / 30.9mm + FOX Transfer 1x Remote |
| KURBELN / CRANKSET | SRAM X1 |
| SCHALTWERK / REAR DERAILLEUR | SRAM X0 Eagle 12x |
| SHIFTER RE. / SHIFTER RIGHT | SRAM X0 Eagle 12x |
| RITZELPAKET / SPROCKET | SRAM XG 1275 11-50T |
| BREMSSYSTEM / BRAKESYSTEM | MAGURA MT7 HC |
| LAUFRAD VO. / WHEEL FRONT | DT SWISS HX1501 29" FW 30mm |
| LAUFRAD HI. / WHEEL REAR | DT SWISS HX1501 29" RW 30mm |
| REIFEN VO. / TIRE FRONT | CONTINENTAL Der Baron Project 29x2.4" ProTecton Apex |
| REIFEN HI. / TIRE REAR | CONTINENTAL Der Baron Project 29x2.4" ProTecton Apex |
| PREIS / PRICE | € 7.799,- |



| | S | | M | | L | | XL | |
|--|--------|--------|--------|--------|--------|--------|--------|--------|
| | long | short | long | short | long | short | long | short |
| A Oberrohr / Top tube | 585mm | | 600mm | | 628mm | | 658mm | |
| B Reach / Reach | 409mm | | 424mm | | 449mm | | 480mm | |
| C Stack / Stack | 613mm | | 613mm | | 623mm | | 623mm | |
| D Sitzrohr / Seat tube | 400mm | | 417mm | | 453mm | | 499mm | |
| E Kettenstrebe / Chain stay | 468mm | 453mm | 468mm | 453mm | 468mm | 453mm | 468mm | 453mm |
| F Lenkwinkel / Steering angle | 64,7° | | 64,7° | | 64,7° | | 64,7° | |
| G Sitzwinkel / Seat angle | 73,7° | | 73,7° | | 73,7° | | 73,7° | |
| H BB Drop / BB drop | 2mm | | 3mm | | 3mm | | 3mm | |
| I Radstand / Wheelbase | 1214mm | 1199mm | 1229mm | 1214mm | 1258mm | 1243mm | 1288mm | 1273mm |
| J Steuerrohr / Head tube | 125mm | | 125mm | | 135mm | | 135mm | |
| K Überstandshöhe / Standover height | 853mm | | 855mm | | 859mm | | 1000mm | |



Ausstattungs- und Preisänderungen vorbehalten
Weitere Hinweise siehe S. 2